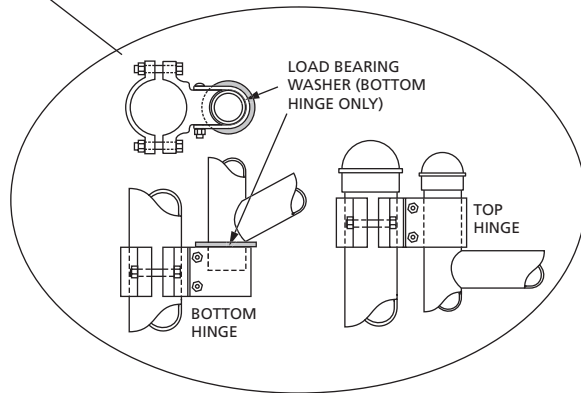


FRAME DETAILS



N.T.S.	
STANDARD SINGLE SWING GATE	
PROJECT	
GENERAL CONTRACTOR	
FENCE CONTRACTOR	DATE
SUBMITTED BY	

