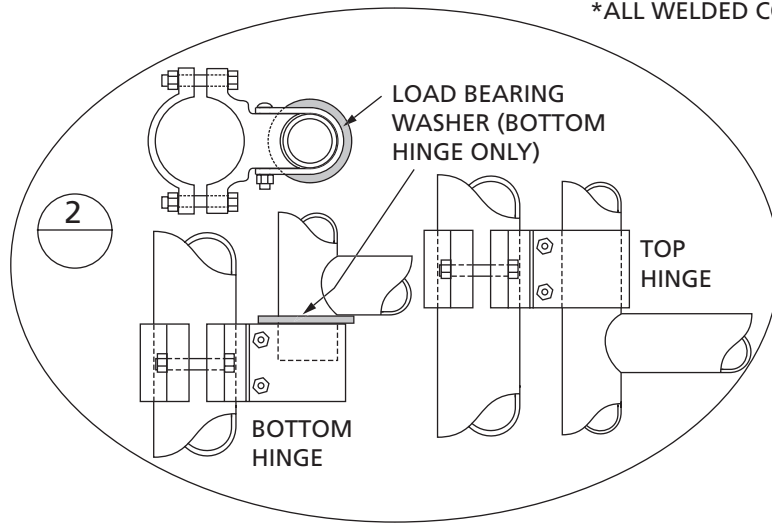
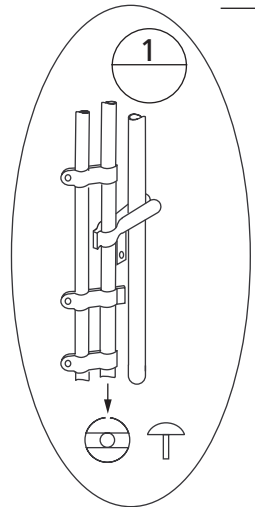


SHOWN W/O HINGES  
\*ALL WELDED CONST.

**FRAME DETAILS**  
(ONLY 1/2 OF GATE SHOWN)



N.T.S.	
<b>STANDARD DOUBLE DRIVE GATE</b>	
PROJECT	
GENERAL CONTRACTOR	
FENCE CONTRACTOR	DATE
SUBMITTED BY	