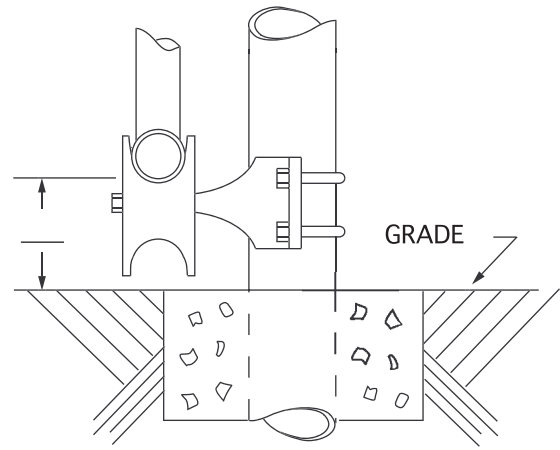


2 LATCH DETAIL



1 ROLLER DETAIL

* ALL WELDED CONSTRUCTION N.T.S.

STANDARD CANTILEVER SLIDE GATE	
PROJECT	
GENERAL CONTRACTOR	
FENCE CONTRACTOR	DATE
SUBMITTED BY	

