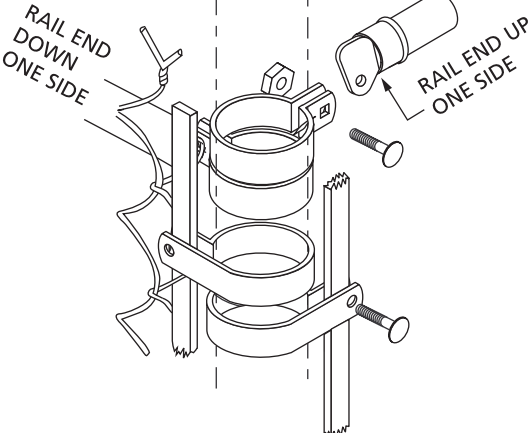


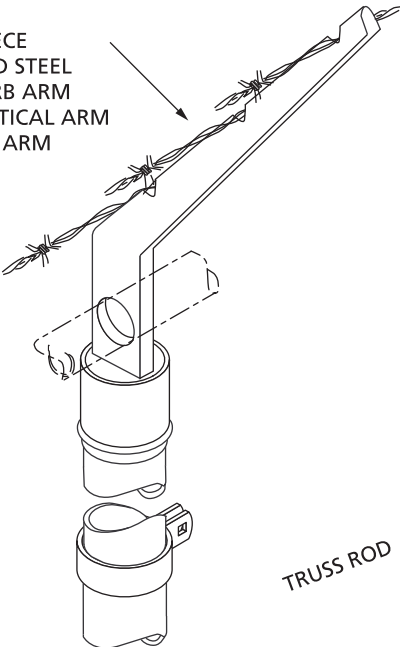
END POST DETAIL

CORNER BARB ARM



CORNER POST DETAIL

ONE PIECE
PRESSED STEEL
45° BARB ARM
OR VERTICAL ARM
OR "Y" ARM



TRUSS ROD

LOOP CAP IF
NO BARBED WIRE
IS REQUIRED



FABRIC

BRACE RAIL END

TENSION BAR

BRACE BAND

TENSION BAND

TRUSS TAKE-UP

TENSION BAND

BRACE BAND

TENSION BAND

BRACE BAND

TENSION BAND

BRACE BAND

TENSION BAND

BRACE BAND

BALL CAP

BARB BAND

W/ BARBED WIRE

W/OUT BARBED WIRE

BRACE BAND

TENSION BAND

TENSION BAR

BRACE BAND

TENSION BAND

BRACE BAND

TENSION BAND

BRACE BAND

TENSION BAND

BRACE BAND

TENSION BAND

BRACE BAND

TENSION BAND

BRACE BAND

TENSION BAND

BRACE BAND

TENSION BAND

BRACE BAND

TENSION BAND

BRACE BAND

TENSION BAND

BRACE BAND

TENSION BAND

BRACE BAND

TENSION BAND



STANDARD FITTINGS DETAIL		N.T.S.
PROJECT		
GENERAL CONTRACTOR		
FENCE CONTRACTOR		DATE
SUBMITTED BY		