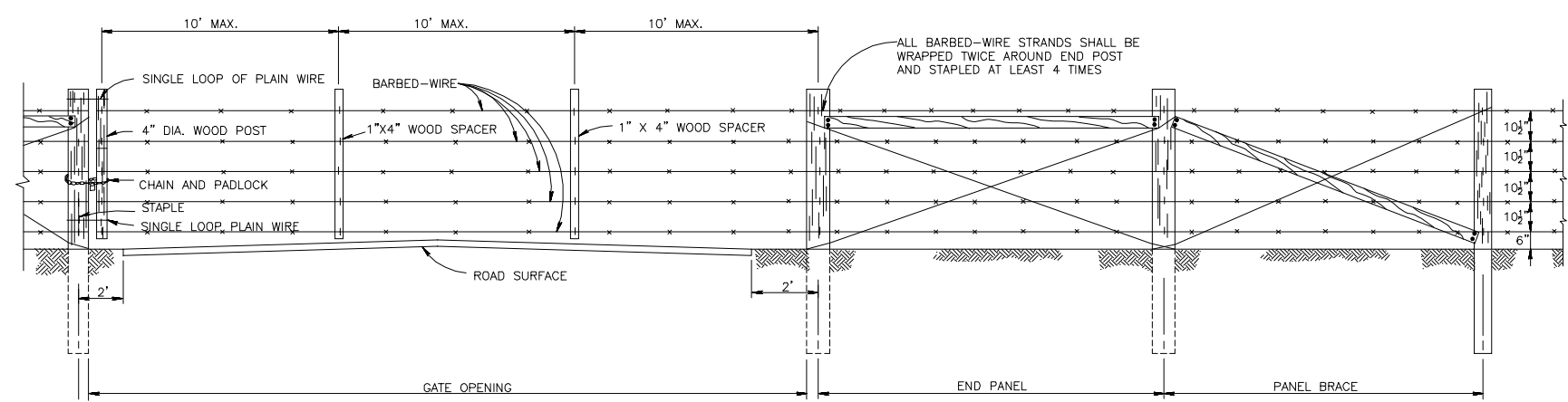
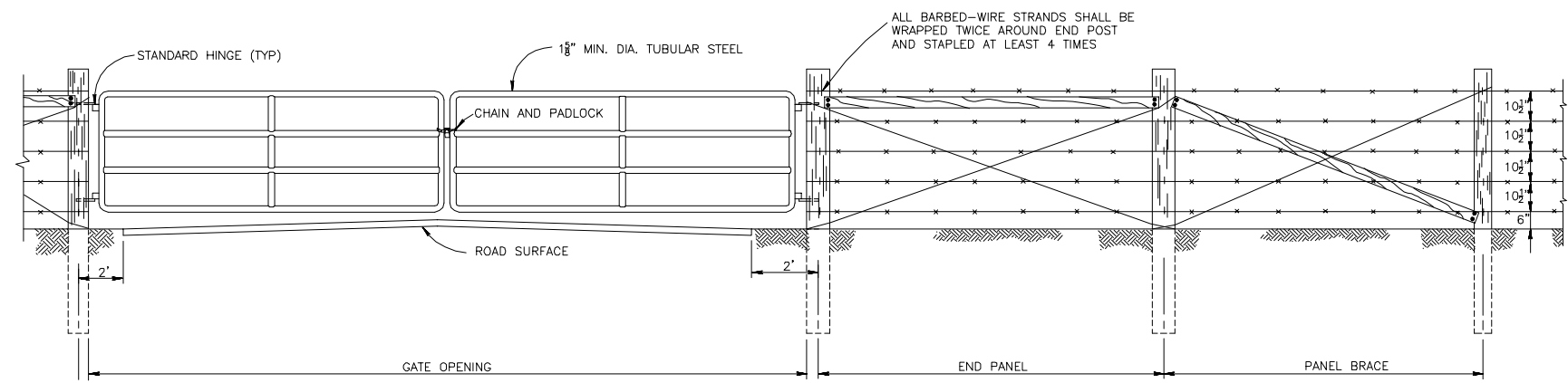


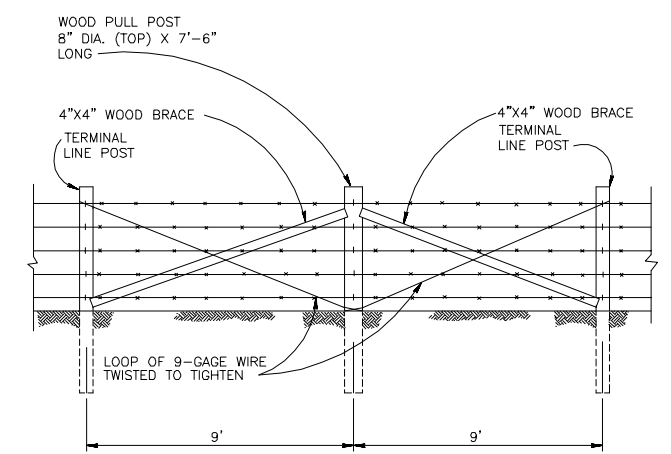
TYPICAL LAYOUT - 5 STRAND BARBED WIRE FENCE
NO SCALE



TYPICAL BARBED-WIRE DROP GATE DETAIL
NO SCALE



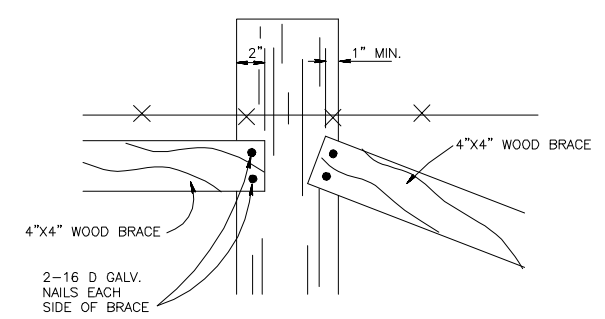
TYPICAL PANEL GATE DETAIL
NO SCALE



PULL POST BRACE PANEL DETAIL
NO SCALE

NOTE:
ALL BARBED-WIRE STRANDS SHALL BE WRAPPED TWICE AROUND PULL POST AND STAPLED AT LEAST 4 TIMES.

PULL POST BRACE PANEL DETAIL
NO SCALE



DAP DETAIL
NO SCALE

NOTES:

1. THE SPACING OF END OR CORNER PANEL AND BRACE PANEL OF 10' AND 9' IS MAXIMUM. WHEN CORNER OR END PANEL CONFLICTS WITH GATE OR CATTLE GUARD BRACE PANELS, OR TWO CORNER PANELS CONFLICT, BRACING AND SPACING OF POSTS SHALL BE ALTERED TO PROVIDE ADEQUATE BRACING AS REQUIRED.
2. THE GATE SHOWN IS TYPICAL. ANY STANDARD COMMERCIAL GATE THAT VARIES ONLY IN NON-ESSENTIAL DETAILS SHALL BE ACCEPTABLE, SUBJECT TO APPROVAL.
3. LATCH AND PIN FOR PANEL GATE IS REQUIRED, BUT NOT SHOWN.

\$\$ - THINK VALUE ENGINEERING - \$\$

Revisions			
Symbol	Descriptions	Date	Approved

U.S. ARMY ENGINEER DISTRICT
CORPS OF ENGINEERS
OMAHA, NEBRASKA

Designed by:	x	STANDARD DETAILS FOR CHAIN-LINK SECURITY FENCES AND FARM STYLE FENCES FARM STYLE 5-STRAND BARBED-WIRE FENCE DETAILS	X
Drawn by:	x		
Checked by:	x		
Reviewed by:	x		
Submitted by:	x	Plot Scale Ratio: 3/4 Design File: BWFENCE3 Spec. No.: DACA 45 Contract No.: STD 872-90-10 Drawing Code:	Date: 02/01/02 Sheet reference number: X
Chief:	x	Section:	DACA 45