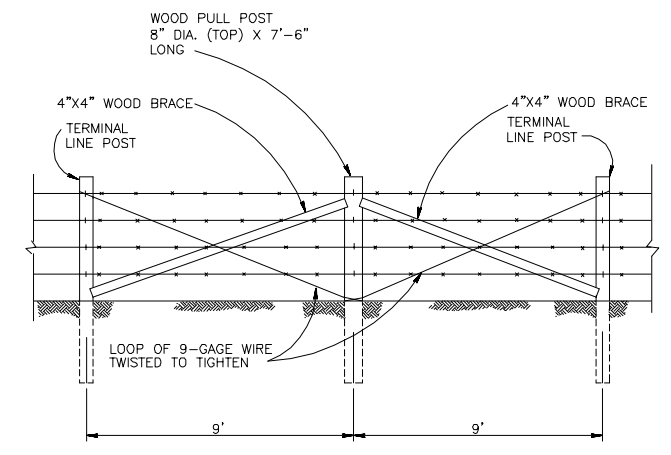
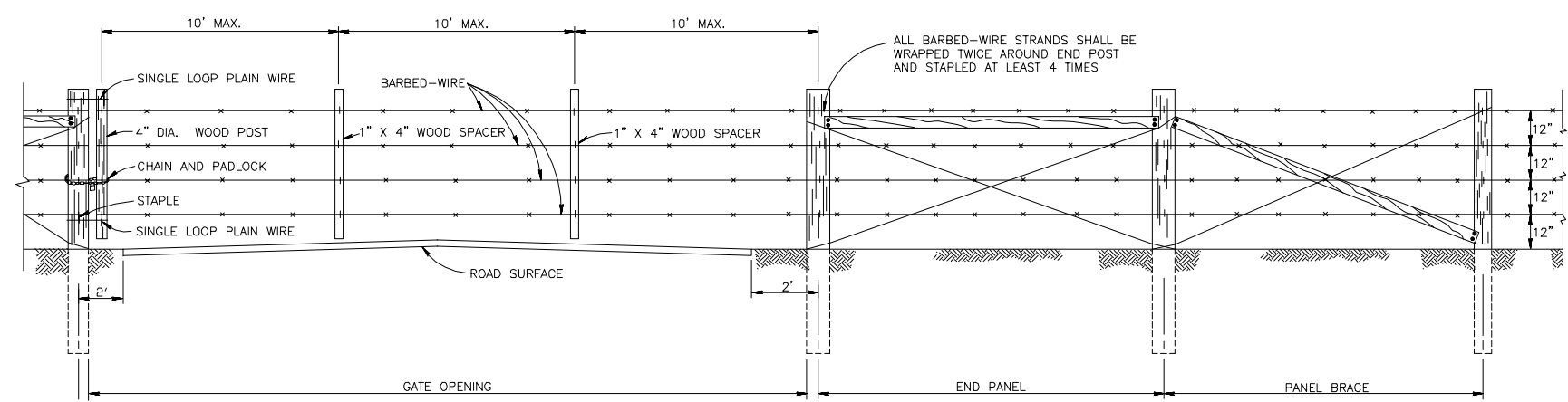


**TYPICAL LAYOUT - 4 STRAND BARBED WIRE FENCE**  
NO SCALE

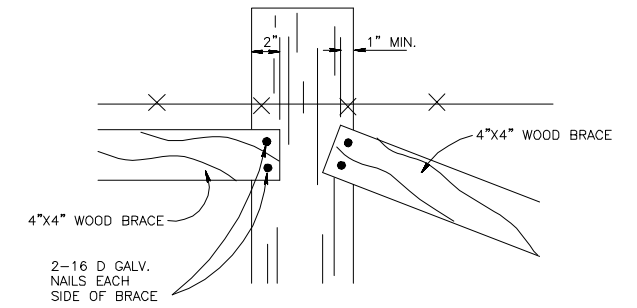


**PULL POST BRACE PANEL DETAIL**  
NO SCALE

**NOTE:**  
ALL BARBED-WIRE STRANDS SHALL BE WRAPPED TWICE AROUND PULL POST AND STAPLED AT LEAST 4 TIMES.

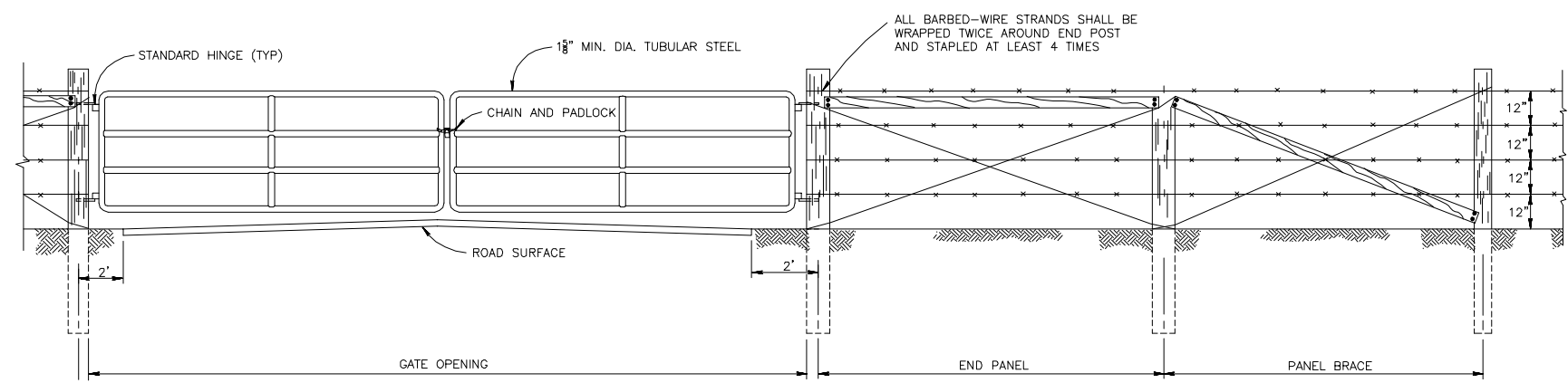


**TYPICAL BARBED-WIRE DROP GATE DETAIL**  
NO SCALE



**DAP DETAIL**  
NO SCALE

- NOTES:**
1. THE SPACING OF END OR CORNER PANEL AND BRACE PANEL OF 10' AND 9' IS MAXIMUM. WHEN CORNER OR END PANEL CONFLICTS WITH GATE OR CATTLE GUARD BRACE PANELS, OR TWO CORNER PANELS CONFLICT, BRACING AND SPACING OF POSTS SHALL BE ALTERED TO PROVIDE ADEQUATE BRACING AS REQUIRED.
  2. THE GATE SHOWN IS TYPICAL. ANY STANDARD COMMERCIAL GATE THAT VARIES ONLY IN NON-ESSENTIAL DETAILS SHALL BE ACCEPTABLE, SUBJECT TO APPROVAL.
  3. LATCH AND PIN FOR PANEL GATE IS REQUIRED, BUT NOT SHOWN.



**TYPICAL PANEL GATE DETAIL**  
NO SCALE

**\$\$ - THINK VALUE ENGINEERING - \$\$**

Revisions			
Symbol	Descriptions	Date	Approved

U.S. ARMY ENGINEER DISTRICT  
CORPS OF ENGINEERS  
OMAHA, NEBRASKA

Designed by:	X	<b>STANDARD DETAILS FOR CHAIN-LINK SECURITY FENCES AND FARM STYLE FENCES</b> <b>FARM STYLE 4-STRAND BARBED-WIRE FENCE DETAILS</b>	X	
Drawn by:	A.S.G.			
Checked by:	X			
Reviewed by:	X			
Submitted by:	DACA 45	Plot Scale Ratio: 3/4	Date: 02/01/02	Sheet reference number: X
Chief: X	Section: DACA 45	Spec. No.: DACA 45	Drawing Code: STD 872-90-10	