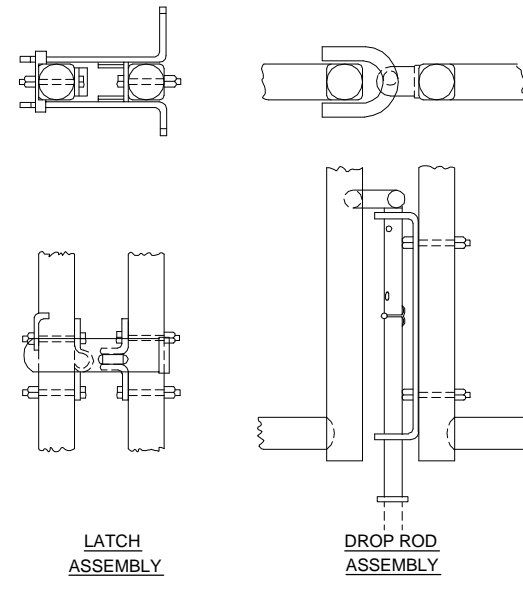
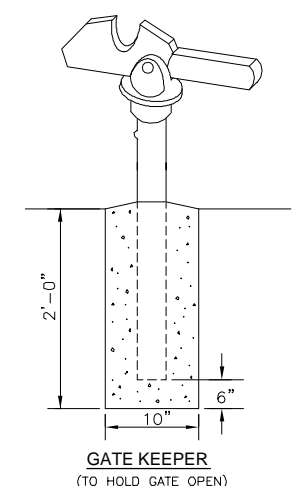
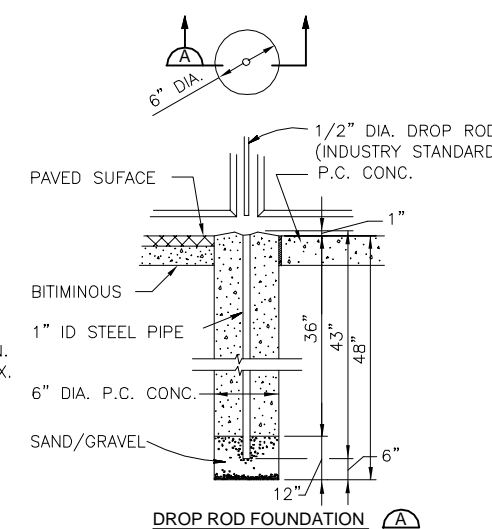
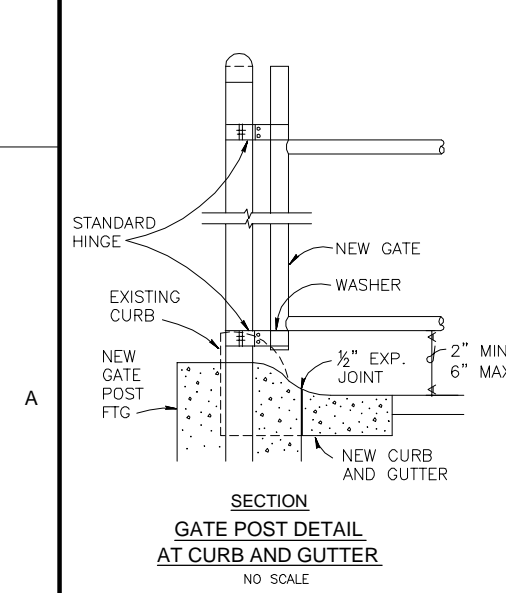


GATE POST SCHEDULE	
GATE LEAF WIDTH (NOMINAL)	OUTSIDE DIMENSION (NOMINAL)
6' OR LESS	2.875" OD 2.5" SQ
6' TO 13'	4.0" OD
13' TO 18'	6.625" OD
MORE THAN 18'	8.625" OD

- NOTES:**
- DETAILS SHOWN ARE TO CLARIFY REQUIREMENTS AND ARE NOT INTENDED TO LIMIT OTHER TYPE OF FENCE SECTIONS AND METHODS OF INSTALLATION.
 - SWING GATES SHALL BE CONSTRUCTED WITH DROP RODS, PADLOCKS, LATCH ASSEMBLY AND GATE KEEPERS EXCEPT AS NOTED.
 - ALL GATE FRAMES SHALL BE A MINIMUM 1.90" NOMINAL (ROUND) OR 2.00" NOMINAL (SQUARE). GATE FRAMES SHALL BE OF WELDED CONSTRUCTION OR SHALL BE ASSEMBLED USING HEAVY FITTINGS. AT CONTRACTOR'S OPTION A WELDED HORIZONTAL BRACE MAY BE USED IN LIEU OF TRUSS RODS TO BRACE ALL WELDED GATE FRAMES. THE CONTRACTOR SHALL BE RESPONSIBLE FOR THE PROPER RIGID CONSTRUCTION OF ALL GATES SUPPLIED.
 - GATES SHALL BE DESIGNATED AS FOLLOWS:
- | | |
|--------------|---|
| FENCE TYPE | - FE5, FE6, ETC. |
| FENCE HEIGHT | - INCHES |
| TYPE OPENING | - SO (SINGLE) |
| | - DO (DOUBLE) |
| HINGE | - RA (STANDARD) |
| | - HO (OFFSET) |
| OPENING | - FEET (CLEAR OPENING BETWEEN GATE POSTS) |
- EXAMPLES: FE6-84-DO-RA-24
FE5-48-SO-HO-6



SWING GATE DETAILS
NO SCALE

\$\$ - THINK VALUE ENGINEERING - \$\$

Revisions			
Symbol	Descriptions	Date	Approved

U.S. ARMY ENGINEER DISTRICT
CORPS OF ENGINEERS
OMAHA, NEBRASKA

Designed by:	x	x
Drawn by:	x	
Checked by:	x	
Reviewed by:	x	
Submitted by:		
CHIEF: x	SECTION	

STANDARD DETAILS FOR CHAIN-LINK SECURITY FENCES AND FARM STYLE FENCES

FE7/8 CHAIN-LINK SECURITY FENCE GATE DETAILS

Plot Scale Ratio: 1:1	Date: 10/01	Sheet reference number:
Design File: FE7GATE.DGN	Drawing Code:	
Spec. No.: DACA 45	Contract No.: STD 872-90-09	
Submitted by: DACA 45		09