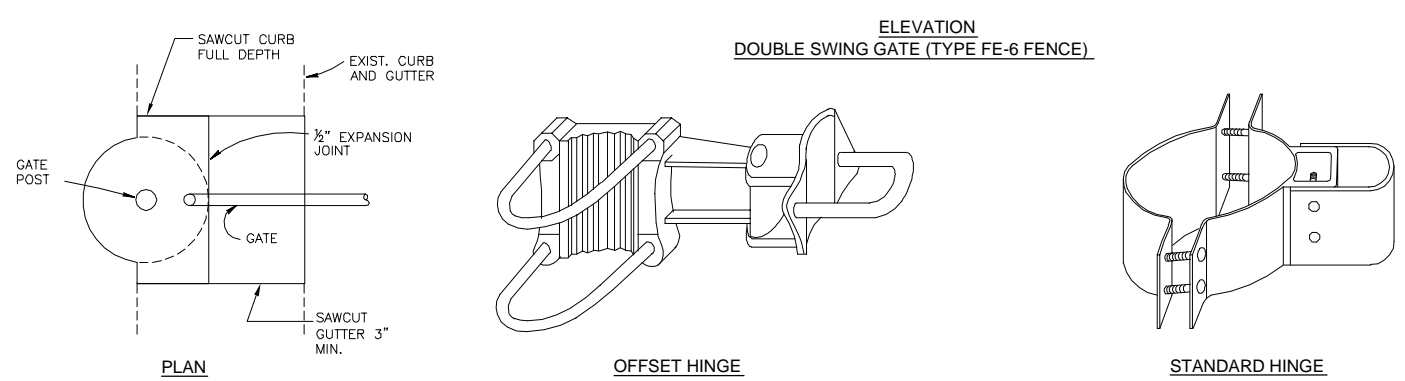


**PERSONNEL GATE
TYPE FE-6 FENCE**

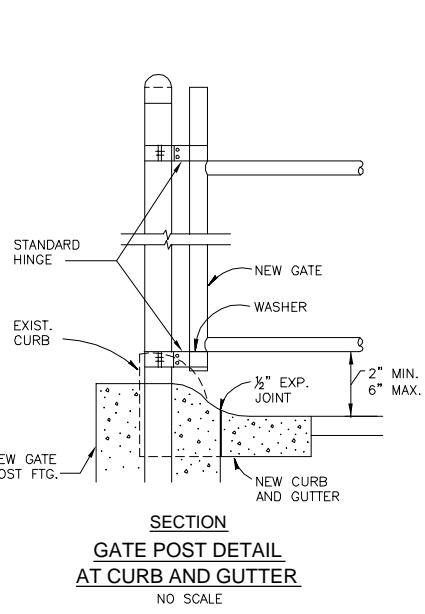
NOTES:

1. DETAILS SHOWN ARE TO CLARIFY REQUIREMENTS AND ARE NOT INTENDED TO LIMIT OTHER TYPE OF FENCE SECTIONS AND METHODS OF INSTALLATION.
2. SWING GATES SHALL BE CONSTRUCTED WITH DROP RODS, PADLOCKS, LATCH ASSEMBLY AND GATE KEEPERS EXCEPT AS NOTED.
3. ALL GATE FRAMES SHALL BE A MINIMUM 1.90" NOMINAL (ROUND) OR 2.00" NOMINAL (SQUARE). GATE FRAMES SHALL BE OF WELDED CONSTRUCTION OR SHALL BE ASSEMBLED USING HEAVY FITTINGS. AT CONTRACTOR'S OPTION A WELDED HORIZONTAL BRACE MAY BE USED IN LIEU OF TRUSS RODS TO BRACE ALL WELDED GATE FRAMES. THE CONTRACTOR SHALL BE RESPONSIBLE FOR THE PROPER RIGID CONSTRUCTION OF ALL GATES SUPPLIED.
4. GATES SHALL BE DESIGNATED AS FOLLOWS:
 FENCE TYPE - FE5, FE6, ETC.
 FENCE HEIGHT - INCHES
 TYPE OPENING - SO (SINGLE)
 - DO (DOUBLE)
 HINGE - RA (STANDARD)
 - HO (OFFSET)
 OPENING - FEET (CLEAR OPENING BETWEEN GATE POSTS)
 EXAMPLES: FE6-84-DO-RA-24
 FE5-48-SO-HO-6

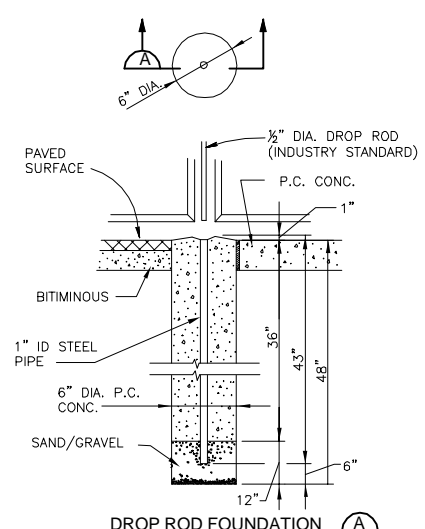
GATE POST SCHEDULE	
GATE LEAF WIDTH (NOMINAL)	OUTSIDE DIMENSION (NOMINAL)
6' OR LESS	2.875" OD 2.5" SQ
MORE THAN 6' TO 13'	4.0" OD
MORE THAN 13' TO 18'	6.625" OD
MORE THAN 18'	8.625" OD



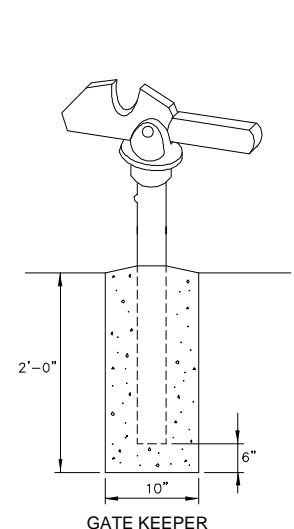
DOUBLE SWING GATE (TYPE FE-6 FENCE)



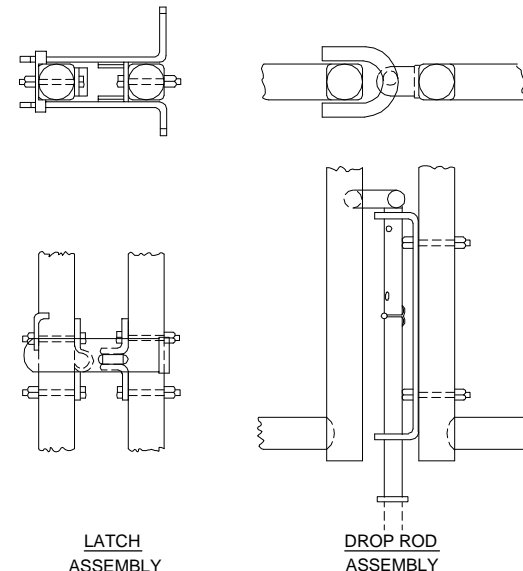
**SECTION
GATE POST DETAIL
AT CURB AND GUTTER
NO SCALE**



DROP ROD FOUNDATION



**GATE KEEPER
(TO HOLD GATE OPEN)
SWING GATE DETAILS
NO SCALE**



LATCH ASSEMBLY

DROP ROD ASSEMBLY

\$\$ - THINK VALUE ENGINEERING - \$\$

Revisions			
Symbol	Descriptions	Date	Approved

U.S. ARMY ENGINEER DISTRICT
CORPS OF ENGINEERS
OMAHA, NEBRASKA

Designed by: x	BASE NAME	BASE LOCATION
Drawn by: x	STANDARD DETAILS FOR CHAIN-LINK SECURITY FENCES AND FARM STYLE FENCES	
Checked by: x	FE6 CHAIN-LINK SECURITY FENCE GATE DETAILS	
Reviewed by: x	Plot Scale Ratio: 1:1	Date: 02/01/02
Submitted by: x	Design File: FE6GATE.DGN	Sheet reference number:
Chief: x	Spec. No.: DACA 45	Drawing Code: STD 872-90-08
Section	Contract No.: DACA 45	08