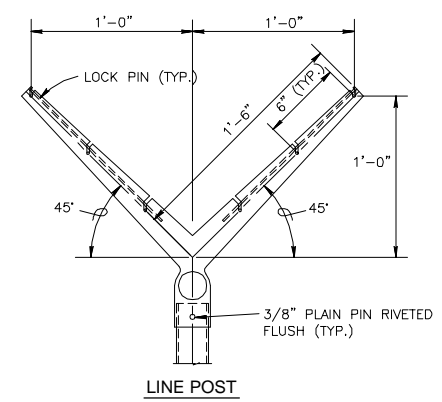


CHAIN-LINK SECURITY FENCE DETAIL

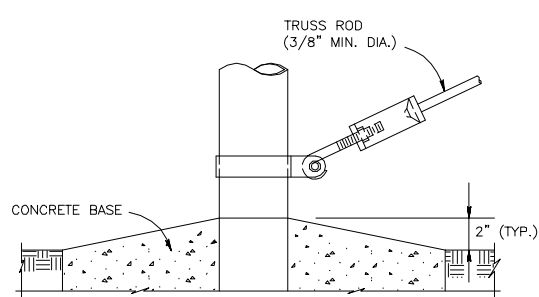
NO SCALE



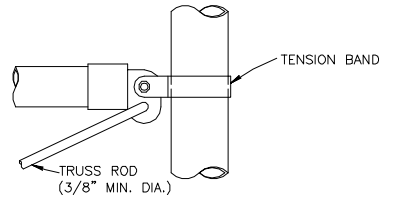
EXTENSION ARM DETAILS

NO SCALE

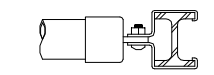
USE AND SECTION	MINIMUM OUTSIDE DIMENSIONS (NOMINAL)		
	FABRIC LESS THAN 72"	FABRIC 72" TO 96"	FABRIC OVER 96"
CORNER, END & PULL POSTS			
TUBULAR - ROUND	2.375" O.D.	2.875" O.D.	4.00" O.D.
TUBULAR - SQUARE	2.00" SQ.	2.50" SQ.	3.00" SQ.
C-SECTION (ROLL-FORMED)	3.50" X 3.50"	3.50" X 3.50"	---
LINE POSTS			
TUBULAR - ROUND	1.90" O.D.	2.375" O.D.	2.875" O.D.
H-SECTION	2.25" X 1.70"	2.25" X 1.70"	2.25" X 1.70"
C-SECTION (ROLL-FORMED)	1.875" X 1.625"	2.25" X 1.70"	---
TOP, BOTTOM & BRACE RAILS			
TUBULAR - ROUND		1.66" O.D.	
TUBULAR - SQUARE		1.50" O.D.	
H-SECTION		1.625" X 1.50"	
C-SECTION (ROLL-FORMED)		1.625" X 1.25"	



TRUSS ROD AND BAND

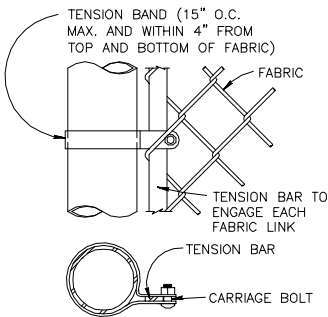


ROUND POST

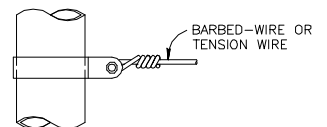


H-BEAM

BRACE RAIL CLAMP DETAILS



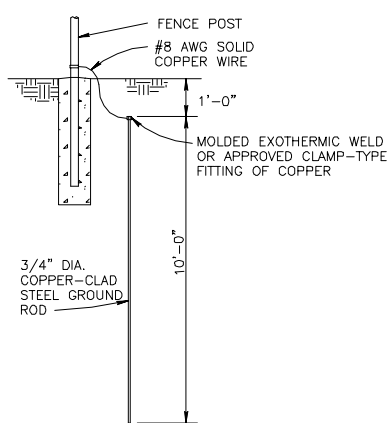
END OR GATE POST DETAIL



TENSION BAND DETAIL

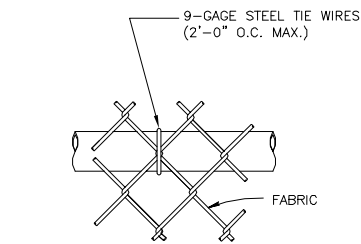
FASTENING DETAILS

NO SCALE



GROUNDING DETAIL

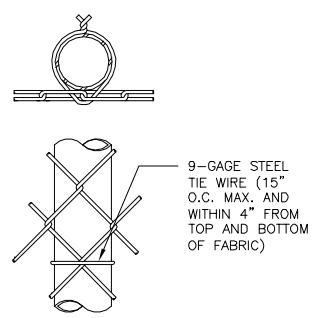
NO SCALE



TOP OR BRACE RAIL ATTACHMENT

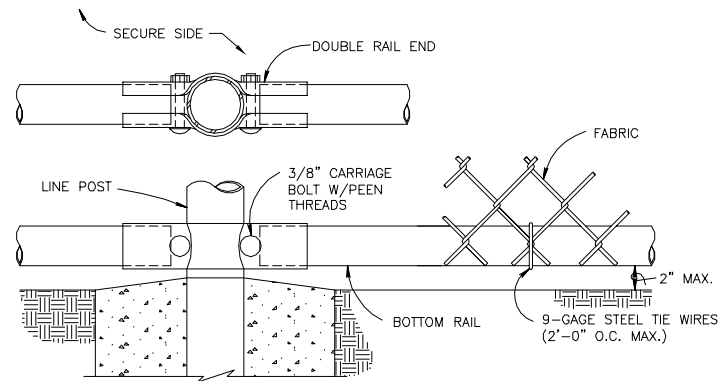


H-BEAM



ROUND POST

LINE POST ATTACHMENTS



BOTTOM RAIL DETAILS

NO SCALE

NOTES:

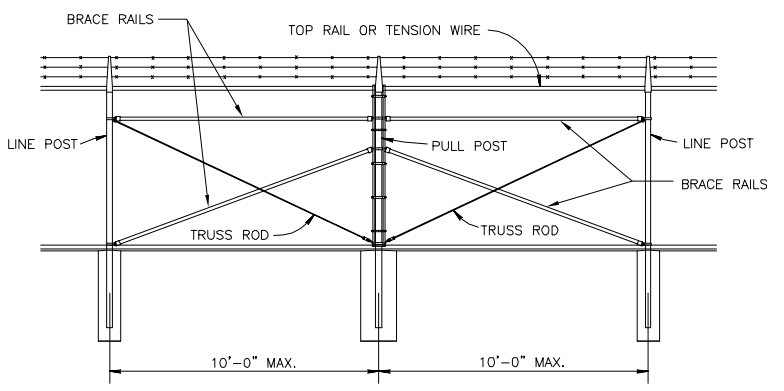
1. DETAILS SHOWN ARE TO CLARIFY REQUIREMENTS AND ARE NOT INTENDED TO LIMIT OTHER TYPES OF FENCE SECTIONS AND METHODS OF INSTALLATION.
2. WIRE TIES, RAILS, POSTS, AND BRACES SHALL BE CONSTRUCTED ON THE SECURE SIDE OF THE FENCE ALIGNMENT. CHAIN-LINK FABRIC SHALL BE PLACED ON THE OPPOSITE SIDE OF THE SECURE AREA.
3. C-SECTION POSTS SHALL BE INSTALLED SO THAT THE VOID INSIDE THE POST IS COMPLETELY FILLED WITH CONCRETE UP TO THE TOP OF THE FOUNDATION.
4. BOTTOM RAIL SHALL BE ATTACHED TO DOUBLE RAIL ENDS USING 3/8" CARRIAGE BOLTS AS SHOWN.

FENCE LEGEND:

- TYPE FE5 - CHAIN-LINK FENCE WITHOUT BARBED-WIRE APRON
- TYPE FE6 - CHAIN-LINK FENCE W/BARBED-WIRE ON SINGLE OUTRIGGER
- TYPE FE7 - CHAIN-LINK FENCE W/BARBED-WIRE ON DOUBLE OUTRIGGER
- TYPE FE8 - CHAIN-LINK FENCE W/BARBED-WIRE AND BARBED-TAPE ON DOUBLE OUTRIGGER
- TR - FENCE WITH TOP RAIL AND TENSION WIRE AT BOTTOM
- TBR - FENCE WITH TOP AND BOTTOM RAILS
- TWB - TENSION WIRE TOP AND BOTTOM
- TWBR - FENCE WITH TOP TENSION WIRE AND BOTTOM RAIL
- FINAL NUMBER IS FABRIC WIDTH IN INCHES.

EXAMPLES

- FE6-TR-72 - CHAIN-LINK SECURITY FENCE WITH BARBED-WIRE ON SINGLE OUTRIGGER, TOP RAIL, AND 72 INCH FABRIC WIDTH.
- FE5-TWB-48 - CHAIN-LINK SECURITY FENCE WITH NO APRON, TOP AND BOTTOM TENSION WIRE, AND 48 INCH FABRIC WIDTH.



BRACE PANEL DETAIL

NO SCALE

NOTE: PROVIDE BRACE PANEL WHENEVER STRAIGHT RUNS EXCEED 500 FEET.

\$\$ - THINK VALUE ENGINEERING - \$\$			
Symbol	Revisions	Date	Approved
	Descriptions		
U.S. ARMY ENGINEER DISTRICT CORPS OF ENGINEERS OMAHA, NEBRASKA			
Designed by:	x		x
Drawn by:	x		
Checked by:	x		
Reviewed by:	x		
Submitted by:			
Chief: X	Section		
STANDARD DETAILS FOR CHAIN-LINK SECURITY FENCES AND FARM STYLE FENCES		FE7 CHAIN-LINK SECURITY FENCE DETAILS	
FOR NON-SENSORED FENCE		Plot Scale Ratio: 1:1	Date: 02/01/02
		Design File: FE7FEN1	Sheet reference number:
		Spec. No.: DACA 45	Drawing Code:
		Contract No.: STD 87-90-04	04
		DACA 45	